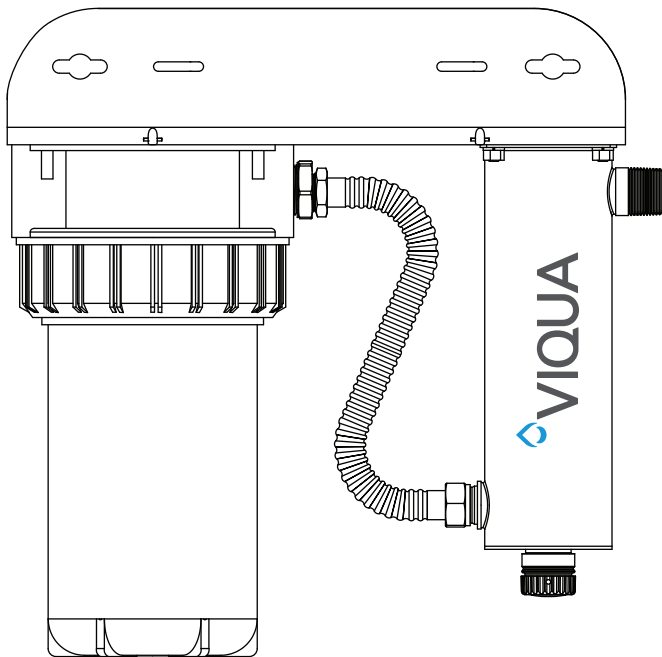


# Owner's Manual



**Models:**  
VH200-F10, VH410-F20



---

## Congratulations

on the purchase of your ultraviolet (UV) water system! This system uses the most advanced UV technology on the market and is designed to provide you with years of trouble free operation with minimal maintenance.

To ensure ongoing optimal operation, UV lamps need to be replaced annually with VIQUA factory-supplied replacements. VIQUA lamps are the result of extensive development resulting in a highly efficient platform with extremely stable UV output over the entire 9000 hour lifetime. Its success has led to a proliferation of non-genuine copies in the market.

The UV lamp is the heart of the UV system, and there should be no compromise when it's time for a replacement.

Why should you insist on genuine factory supplied VIQUA replacement lamps?

- Use of widely available, non-genuine, replacement lamps has been shown to damage the control module of VIQUA UV equipment.
- An increasing number of calls to VIQUA Technical Support are connected with non-genuine lamps being used (unknowingly) as replacements.
- Damage arising from the use of non-genuine lamps poses a safety risk and is not covered by equipment warranty.
- Unless the UV equipment is equipped with a UV sensor (monitor), it is not possible to verify the UV (invisible) output of replacement lamps.
- Similar appearance to the original lamp and the presence of (visible) blue light does not mean equivalent performance.
- VIQUA replacement lamps undergo rigorous performance testing and strict quality control processes to ensure that the safety and performance certifications of the original equipment are not compromised.

So, you can see that it's simply not worth the risk! Insist on genuine VIQUA replacement lamps.

















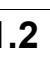
# Section 1 Safety Information

These are the original instructions. Please read this entire manual before operating this equipment. Pay attention to all danger, warning, and caution statements in this manual. Failure to do so could result in serious personal injury or damage to the equipment.

Make sure that the protection provided by this equipment is not impaired. DO NOT use or install this equipment in any manner other than that specified in the installation manual.



## 1.1 Potential Hazards:

Read all labels and tags attached to the system. Personal injury or damage to the system could occur if not observed.

	Waste electrical and electronic equipment (WEEE). This symbol indicates that you should not discard wasted electrical or electronic equipment (WEEE) in the trash. For proper disposal, contact your local recycling/reuse or hazardous waste center.		This symbol indicates not to store any combustible or flammable material close to the system.
	This symbol indicates there is Mercury present.		This symbol indicates that the contents of the transport package are fragile and the package should be handled with care.
	This is the safety alert symbol. Obey all safety messages that follow this symbol to avoid potential injury. When on the equipment, refer to the Operational and Maintenance manual for additional safety information.		This symbol indicates safety glasses with side protection is required for protection against UV exposure.
	This symbol indicates a risk of electrical shock and/or electrocution exists.		This symbol indicates gloves must be worn.
	This symbol indicates the marked equipment may contain a component that can eject forcibly. Obey all procedures to safely depressurize.		This symbol indicates safety boots must be worn.
	This symbol indicates the system is under pressure.		This symbol indicates the operator must read all available documentation to perform required procedures.
	This symbol indicates there is a potential UV hazard. Proper protection must be worn.		This symbol indicates the plumber must use copper piping.
	This symbol indicates the marked item could be hot and should not be touched without care.		This symbol indicates that the system should only be connected to a properly grounded, grounding-type controller receptacle that is protected by a Ground Fault Circuit Interrupter (GFCI).
	This symbol indicates there is a potential for VERY hot water when flow is started.		

## 1.2 Safety Precautions:

**⚠ DANGER**

  	<p>Failure to follow these instructions will result in serious injury or death.</p> <ul style="list-style-type: none"> <li>• <b>Electric Shock:</b> To avoid possible electric shock, special care should be taken since water is present near the electrical equipment. Unless a situation is encountered that is explicitly addressed by the provided maintenance and troubleshooting sections, DO NOT attempt repairs yourself, refer to an authorized service facility.</li> <li>• <b>GROUNDING:</b> This product must be grounded. If it should malfunction or breakdown, grounding provides a path of least resistance for electric current to reduce the risk of electrical shock. This system is equipped with a cord having an equipment-grounding conductor and a grounding plug. The plug must be plugged into an appropriate outlet that is properly installed and grounded in accordance with all local codes and ordinances. Improper connection of the equipment-grounding conductor can result in a risk of electrocution. Check with a qualified electrician or service personnel if you are in doubt as to whether the outlet is properly grounded. DO NOT modify the plug provided with this system – if it does not fit in the outlet, have a proper outlet installed by a qualified electrician. DO NOT use any type of adapter with this system.</li> <li>• <b>GROUND FAULT CIRCUIT INTERRUPTER PROTECTION:</b> To comply with the National Electrical Code (NFPA 70) and to provide additional protection from the risk of electric shock, this system should only be connected to a properly grounded, grounding-type controller receptacle that is protected by a Ground Fault Circuit Interrupter (GFCI) or to a residual current device (RCD) having a rated residual operating current not exceeding 30 mA. Inspect operation of GFCI as per manufacturer's suggested maintenance schedule.</li> <li>• DO NOT operate the UV system if it has a damaged cord or plug, if it is malfunctioning or if it has been dropped or damaged in any manner.</li> <li>• DO NOT use this UV system for other than intended use (potable water applications). The use of attachments not recommended or sold by the manufacturer / distributor may cause an unsafe condition.</li> <li>• DO NOT install this UV system where it will be exposed to the weather or to temperatures below freezing.</li> <li>• DO NOT store this UV system where it will be exposed to the weather.</li> <li>• DO NOT store this UV system where it will be exposed to temperatures below freezing unless all water has been drained from it and the water supply has been disconnected.</li> </ul>
--	--

## Safety Information

### ⚠ WARNING

	<ul style="list-style-type: none"> <li>During extended periods of no water flow, the water in your chamber can become very hot (Approx. 60 °C) and potentially lead to scalding. It is recommended to run your water until this hot water has been purged from your chamber. Do not allow water to contact your skin during this time. To eliminate this condition, a temperature management valve can be installed at the outlet of your UV system.</li> </ul>
	<ul style="list-style-type: none"> <li>Do not pass water through the UV system for a minimum of 5 minutes after applying power (including after power interruptions) to avoid passing under-treated water that may, in rare instances, pose health hazards.</li> </ul>
	<ul style="list-style-type: none"> <li>This system contains a UV Lamp. Do not operate the UV Lamp when it is removed from the chamber. Unintended use or damage of the system may result in the exposure of dangerous UV radiation. UV radiation may, even in little doses, cause harm to the eyes and skin.</li> <li>Changes or modifications made to this system without the consent of the manufacturer could render the system unsafe for operation and may void the manufacturer's warranty.</li> </ul>
	<p><b>WARNING:</b> This product can expose you to chemicals including phthalates, which is known to the state of California to cause cancer, and mercury, which is known to the State of California to cause birth defects or other reproductive harm. For more information go to <a href="http://www.P65Warnings.ca.gov">www.P65Warnings.ca.gov</a>.</p>

### ⚠ CAUTION

	<p>Failure to follow these instructions could result in minor or moderate injury.</p> <ul style="list-style-type: none"> <li>Carefully examine the UV system after installation. It should not be plugged in if there is water on parts not intended to be wet such as, the controller or lamp connector.</li> <li>Due to thermal expansion concerns and potential material degradation due to UV exposure, it is recommended to use metal fittings and at least 10" of copper pipe on the outlet of your UV chamber.</li> <li><b>Hg EXPOSURE:</b> The UV lamp contains mercury. If the lamp breaks, then avoid inhalation or ingestion of the debris and avoid exposure to eyes and skin. Never use a vacuum cleaner to clean up a broken lamp as this may scatter the spilled mercury. Obey local regulations and guidelines for the removal and disposal of mercury waste.</li> </ul>
--	--

### NOTICE

	<ul style="list-style-type: none"> <li>The UV systems inactivates Cryptosporidium, Giardia, Escherichia coli (E. coli) and Fecal Coliform.</li> <li>The UV lamp inside the UV system is rated at an effective life of approximately 9000 hours. To ensure continuous protection, replace the UV lamp annually.</li> <li>The UV system is not to be used or played with by children. Persons with reduced physical, sensory or mental capabilities, or lack of experience and knowledge, are also not to handle the UV system unless they have been given supervision or instruction.</li> <li>This system is intended to be permanently connected to the water lines.</li> <li>This system is not intended to be used in or above water or outdoors or used in swimming pools when persons are in the pool.</li> <li><b>EXTENSION CORDS:</b> If an extension cord is necessary, use only 3-wire extension cords that have 3-prong grounding-type plugs and 3-pole cord connectors that accept the plug from this system. Use only extension cords that are intended for outdoor use. Use only extension cords having an electrical rating not less than the rating of the system. A cord rated for less amperes or watts than this system rating may overheat. Exercise caution when arranging the cord so that it will not be tripped over or pulled. DO NOT use damaged extension cords. Examine extension cord before using and replace if damaged. DO NOT abuse extension cord. Keep extension cord away from heat and sharp edges. Always disconnect the extension cord from the receptacle before disconnecting this system from the extension cord. Never yank cord to pull plug from outlet. Always grasp the plug and pull to disconnect.</li> <li>If the supply cord is damaged, it must be replaced by a special cord or assembly available from the manufacturer or its service agent.</li> <li><b>SYSTEM PROTECTION:</b> To protect your Controller, a UL1449 certified (or equivalent) transient voltage surge suppressor is strongly recommended.</li> <li>The UV lamp in this system conforms to the applicable provisions of the Code of Federal Regulations (CFR) requirements including, Title 21, Chapter 1, Subchapter J, Radiological Health.</li> <li>Read and understand the Owner's Manual before operating and performing any maintenance on this equipment.</li> </ul>
--	---

## 1.3 Water Chemistry

Water quality is extremely important for the optimum performance of your UV system. The following levels are recommended for installation:

Water Quality and Minerals	Level
Iron	< 0.3 ppm (0.3 mg/L)
Hardness*	< 7 gpg (120 mg/L)
Turbidity	< 1 NTU
Manganese	< 0.05 ppm (0.05 mg/L)
Tannins	< 0.1 ppm (0.1 mg/L)
UV Transmittance	> 75% (call factory for recommendations on applications where UVT < 75%)

\* Where total hardness is less than 7 gpg, the UV unit should operate efficiently provided the quartz sleeve is cleaned periodically. If total hardness exceeds 7 gpg, the water should be softened. If your water chemistry contains levels in excess of those mentioned above, proper pre-treatment is recommended to correct these water problems prior to the installation of your UV system. These water quality parameters can be tested by your local dealer, or by most private analytical laboratories. *Proper pre-treatment is essential for the UV system to operate as intended.*

## Section 2 General Information

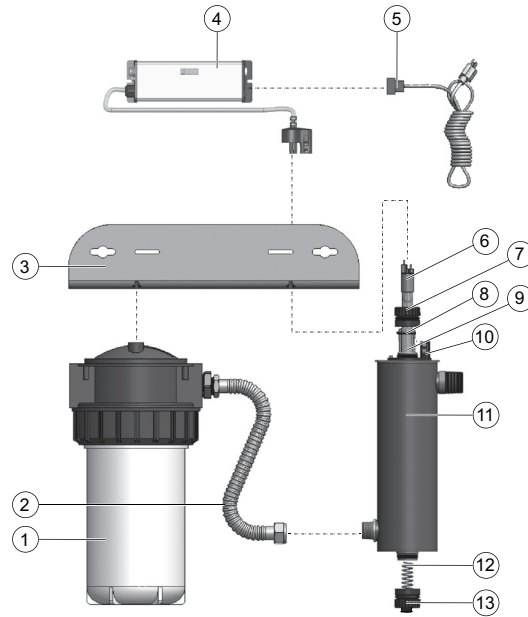


Figure 1 System Components

Item	Description	Part Number	UV Systems
1	Filter Housing	AWP40B-V	VH200-F10
		AWP42B-V	VH410-F20
	Sediment cartridge filter 10" High 5 micron	CMB-510-HF	VH200-F10
	Sediment cartridge filter 20" High 5 Micron	CMB-520-HF	VH410-F20
2	SS Flexible Hose	411076R-01	VH200-F10
		441076R-02	VH410-F20
3	Bracket	420589-R	Used on all systems.
4	Controller - 100-240V/50-60HZ	BA-ICE-CL	Used on all systems.
5	IEC Replacement Power Cords For VIQUA ICE Controller™ (Sold Separately)	602636	NORTH AMERICAN (NEMA 5-15P), 3-PRONG GROUNDED
		602637	CONTINENTAL EUROPEAN (CEE 7/7) 2-PIN WITH GROUND, "SCHUKO"
		260012	UK VERSION (BS 1363) 3-PRONG GROUNDED (5 AMP FUSE)
		260013	AUSTRALIAN VERSION (AS 3112) 3-PRONG GROUNDED
		260019	NO CONNECTOR, 3-WIRE, BARE LEADS
6	UV lamp	S200RL-HO	VH200-F10
		S410RL-HO	VH410-F20
7	Gland Nut	RN-001	Used on all systems.
8	O-ring	410867	Used on all systems.
9	Quartz Sleeve	QS-001	VH200-F10
		QSO-410	VH410-F20
10	Lamp Connector Base	270276-R	Used on all systems.
11	304 Stainless Steel Chamber	-	-
12	Spring	SP008	Used on all systems.

## Section 3 Installation

### 3.1 UV System

#### ⚠ CAUTION



Electronic controller must be connected to a Ground Fault Protected Circuit (GFCI) receptacle. Ensure the green ground wire ring terminal is securely fastened to chamber ground stud.

The UV system is designed to be installed at point-of-entry. Drip loops in all cordage connected to the controller is highly recommended. Refer to [Figure 3](#).

- The complete water system, including any pressure or hot water tanks, must be sterilized before start up by flushing with chlorine (household bleach) to destroy any residual contamination. Refer to [Section 3.2](#).
- For safety purposes, the UV system must be connected to a Ground Fault Protected Circuit (GFCI).
- The UV system is intended for indoor use only, do not install UV system where it may be exposed to the weather.
- Install the UV system on cold water line only.
- If treating the entire house, install the UV system before any branch lines.

#### Procedure:

1. [Figure 2](#) shows the installation of a typical drinking water system and the related components that may be used for the installation. The use of a bypass assembly is recommended in case the system requires “off-line” maintenance. If this is the case, it must be noted that the system will require supplementary disinfectant of the distribution system if any water is used during this bypass condition. In addition, during bypass, the water will NOT be treated and a “DO NOT CONSUME THE WATER” tag should be physically installed on the bypass assembly until such time as the system is cleaned and returned to service. Please refer to [Section 3.2](#) for the complete cleaning procedure. If the water is to be consumed while the system is off-line, the water must be boiled for two minutes prior to consumption.

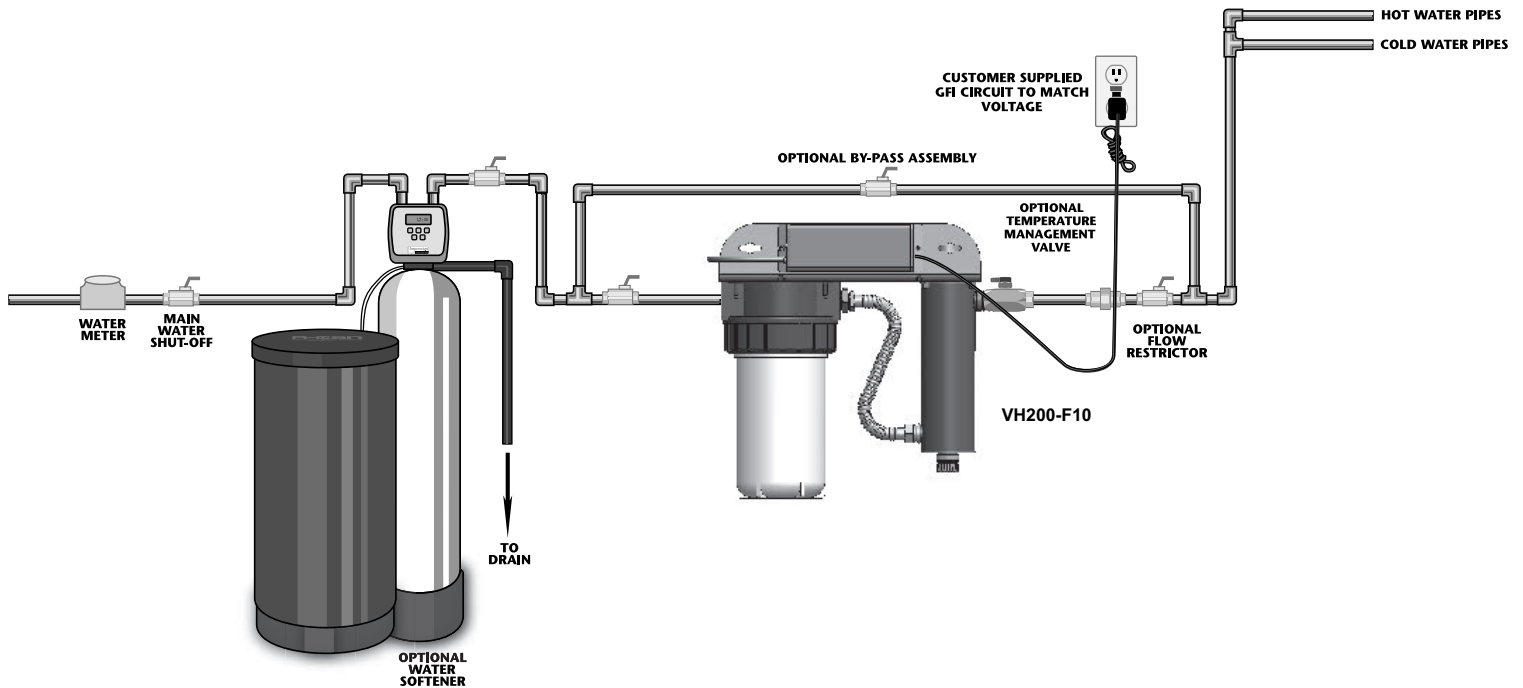


Figure 2 UV System

2. Select a suitable location for the UV system and its related components. As it is recommended to install a ground fault protected circuit (GFCI), make sure that this is taken into consideration prior to any installation. When selecting a mounting location, enough space must be left to allow for the removal of the UV lamp sleeve, as well as enough space to change out the filter cartridges. See [Figure 3](#) for typical clearance dimensions.

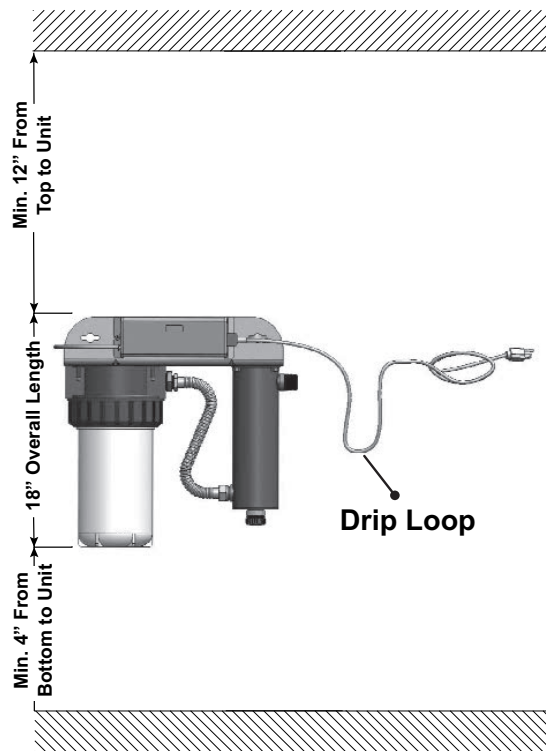


Figure 3 Installation

**Note:** The above illustration is relevant for VH200 only.

3. Mount the system to the wall with appropriate lag bolts (not supplied) through the two mounting holes located on the metal bracket. The use of a flow restrictor device is recommended when installing your system in order to maintain the manufacturer's maximum rated flow. The flow restrictor should be installed on the outlet port and is designed to be installed in one direction only. Ensure that the flow of the water matches the flow direction as indicated on the flow restrictor. Refer to [Figure 4](#).

**Note:** DO NOT solder connections while attached to the system as this could damage the O-ring seals.

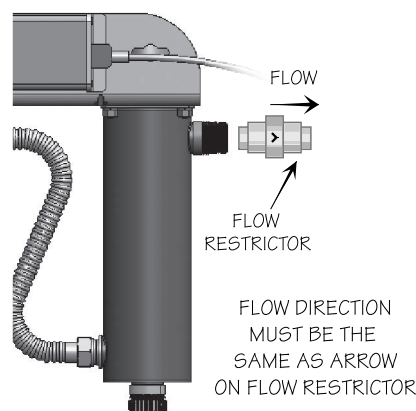


Figure 4 Flow Restrictor

## Installation

4. Make sure you allow for a “drip-loop” on the power cord to prevent any water from potentially entering the controller. Refer to [Figure 3](#).
5. Install the UV lamp. Refer to [Section 4.1](#).
6. Install the cartridges. Refer to [Section 4.3](#).
7. When all plumbing connections are made, slowly turn on the water supply and check for leaks. The most likely cause for leaks is from o-ring seals. In case of a leak at the chamber, shut water off, remove the retaining nut, wipe the o-ring and threads clean and re-install. In case of a leak at the filters, remove the sump, wipe the o-ring and threads clean, ensure the o-ring is properly seated, then reinstall.
8. Once it is determined that there are no leaks, plug the system into the ground fault interrupter, and check controller to ensure the system is operating properly. The controller is designed to detect both power to the system and UV lamp illumination.

**Note:** DO NOT look directly at the glowing UV lamp.

9. Allow the water to run for a few minutes to clear any air or dust that may be in the chamber.

**Note:** When there is no flow, the water in the cell will become warm, as the UV lamp is always on. To remedy this, run a cold water tap anywhere in the house for a minute to flush out the warm water.

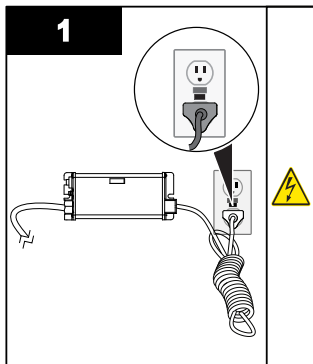
## 3.2 Cleaning Procedure

### Prerequisites:

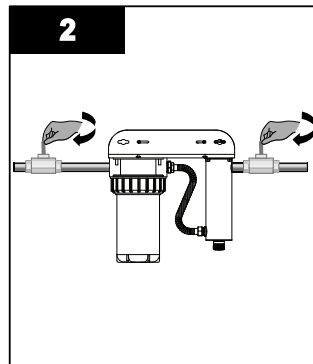
- Reapply a generous amount of lubricant to the O-ring when reinstalling sumps.

### Procedure:

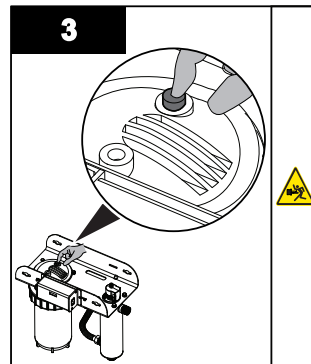
It is imperative that the entire distribution system located after the UV be chemically cleaned to ensure that the water is free from any contaminants. The cleaning process must be performed immediately after the UV unit is installed and repeated thereafter whenever the UV is shut down for service, without power, or inoperative for any reason. The procedure for cleaning the plumbing system is readily accomplished as follows:



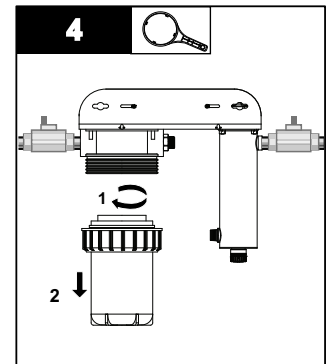
- Ensure the controller is plugged in for entire cleaning process.



- Shut off the water supply.
- Close each faucet.

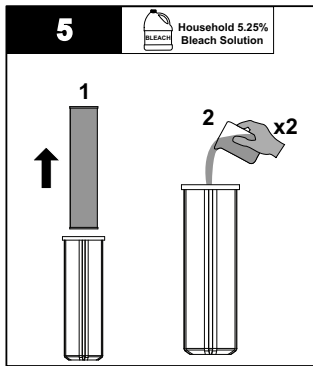


- Press the pressure button to release the pressure from the cartridges.



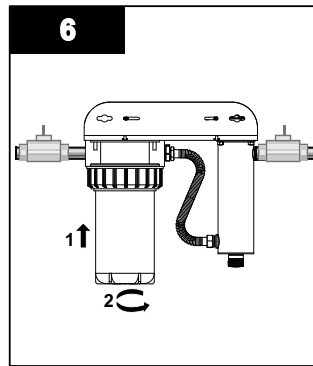
- Remove sump housing using sump wrench.



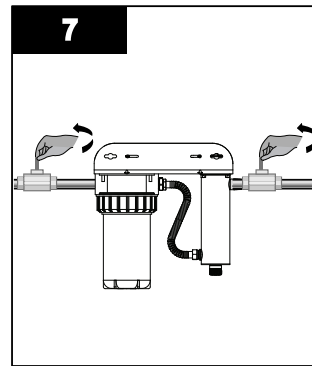


- Remove cartridge and pour 2 cups of household bleach solution into the sump housing.

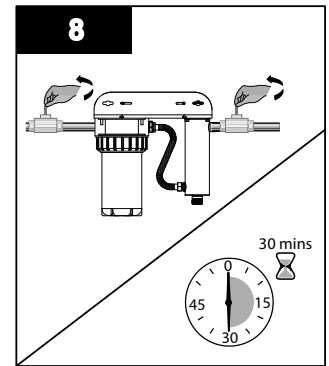
**Note:** DO NOT use Hydrogen Peroxide.



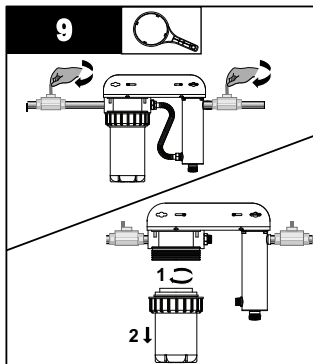
- Connect only the sump housing to the unit.



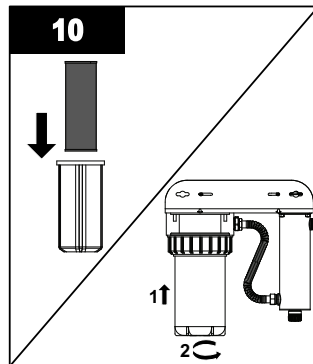
- Turn on water supply.
- Allow water to fill the chamber.



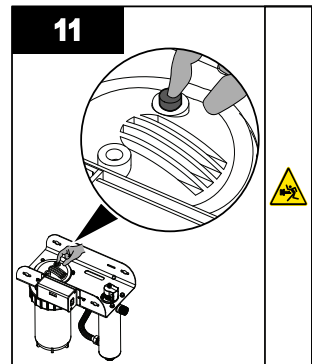
- Turn on the cold water supply followed by hot water (if available) until you smell the bleach.
- Close all faucets and allow bleach to settle in the water lines for 30 minutes.



- With all faucets closed, remove sump housing using sump wrench.



- Reinstall the cartridge into sump housing and connect to the unit.
- Flush all water outlets until bleach can no longer be smelled (at least 5 minutes).



- Press the pressure button to purge air and to complete the cleaning procedure.

**Notes:** 1) The addition of chlorine (bleach) to a hot water tank that has in the past been fed with untreated raw water with high levels of other contaminants (iron, manganese, hydrogen sulphide, organics, etc.) will result in oxidation of these contaminants and may require repeated flushing of the hot water tank. This contingency must be dealt with independently under the start-up procedure for any other conditioners that may form a part of the pre-treatment for the UV unit.

2) The above cleaning procedure will result in a massive chlorine residual far in excess of the 0.5 to 1.0 mg/L typically present in municipally chlorinated water and of a magnitude consistent with the minimum 50 mg/L chlorine solution recommended for the cleaning of distribution systems known to be contaminated. Do not consume water until complete system has been flushed.

# Section 4 Maintenance

## ⚠ WARNING



- Always disconnect power before performing any work on the UV system.
- Always shut-off water flow and release water pressure before servicing.
- Regularly inspect your UV system to ensure that the power indicators are on and no alarms are present.
- Replace the UV lamp annually (or biennially if seasonal home use) to ensure maximum performance.
- Always drain the chamber when closing a seasonal home or leaving the unit in an area subject to freezing temperatures.

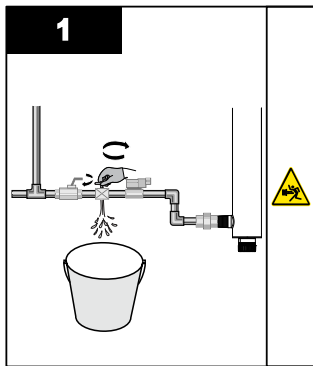
### 4.1 Replacing UV Lamp

## NOTICE

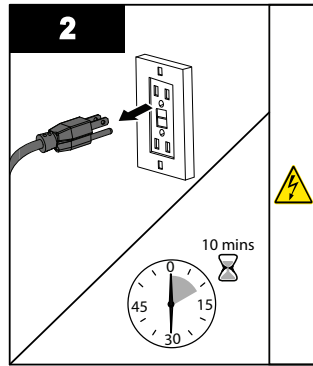
- Reset lamp life timer after lamp replacement. Refer to [Section 5.1.3](#). Refer to [www.lamprecycle.org](http://www.lamprecycle.org) for UV lamp disposal.
- Do not use water during replacement of UV lamp.

Lamp replacement is a quick and simple procedure requiring no special tools. The UV lamp must be replaced after 9000 hours of continuous operation (approximately one year) in order to ensure adequate performance.

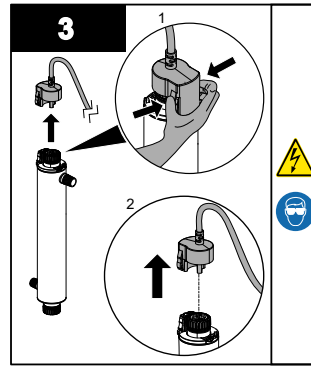
**Procedure:**



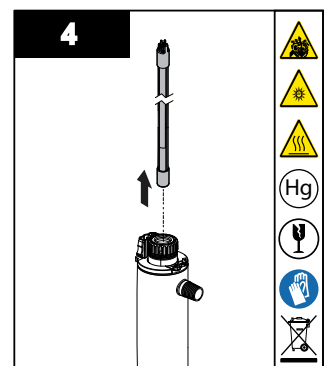
- Shut off the water line to chamber and release system pressure before servicing.



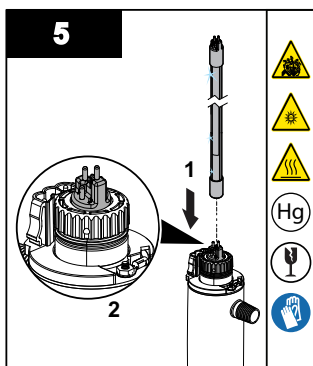
- Disconnect main power source and allow the unit to cool for 10 minutes.



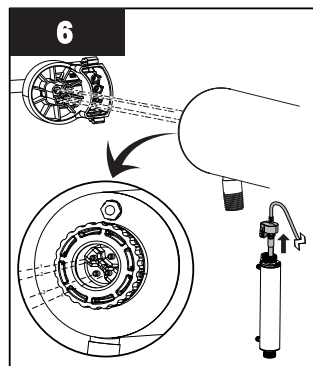
- Remove the lamp connector by squeezing the plastic locking tabs on the side of the connector.



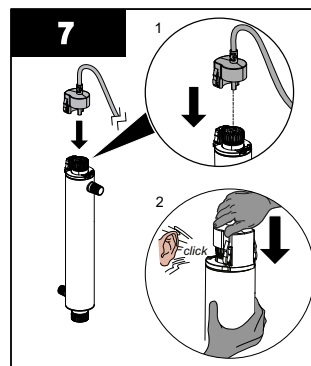
- Remove the lamp in upward direction from the chamber and lamp connector base.
- Always hold the lamp at the ceramic ends.



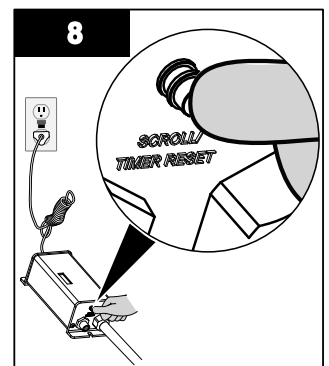
- Insert the new lamp fully into the chamber leaving about two inches of the lamp protruding from the chamber.



- Attach the connector to the lamp. Note that the connector will only allow correct installation in one position.



- Push the lamp connector against lamp connector base together until an audible click is heard.



- Hold down the timer reset button and reapply power to the controller until you see **555**, then release timer reset button.
- A 5 second delay will occur until you hear an audible tone and LED display will read once again **365**.
- Re-pressurize the system to check for leaks.

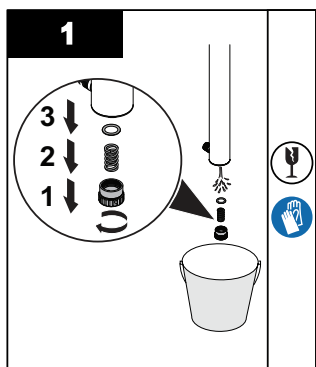
## 4.2 Cleaning and Replacing Quartz Sleeve

**Note:** Minerals in the water slowly form a coating on the lamp sleeve. This coating must be removed because it reduces the amount of UV light reaching the water, thereby reducing performance. If the sleeve can not be cleaned, it must be replaced.

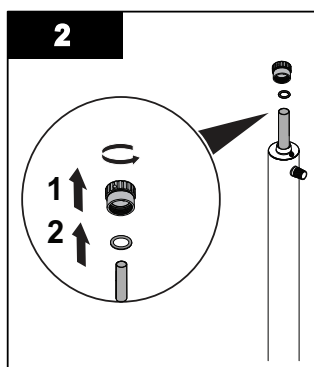
### Prerequisites:

- Shut off water supply and drain all lines.
- Remove the UV lamp. Refer to [Section 4.1](#).

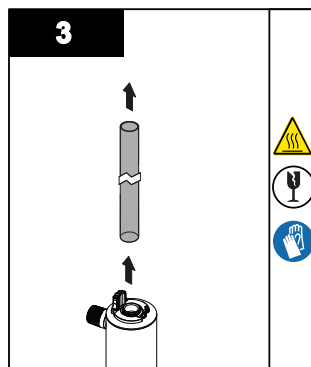
### Procedure:



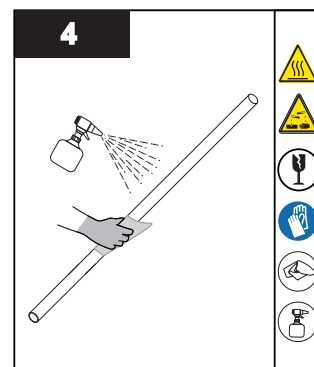
- Remove the bottom retaining nut, floating spring, and O-ring.



- Remove the top retaining nut and O-ring.

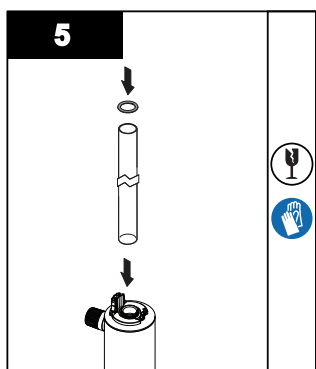


- Carefully, remove O-ring adhering to the quartz sleeve.
- Remove the quartz sleeve.

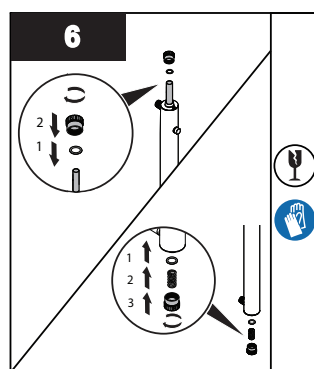


- Clean the quartz sleeve with a cloth soaked in CLR, vinegar or some other mild acid and then rinse with water.

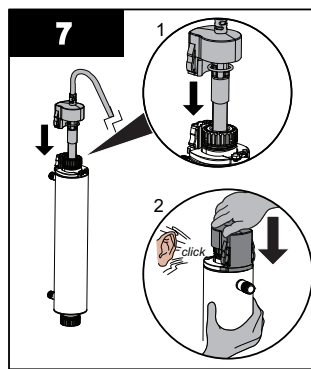
**Note:** If sleeve cannot be cleaned completely or it is scratched or cracked, then replace the sleeve.



- Reinstall the quartz sleeve in the chamber allowing the sleeve to protrude an equal distance at both ends of the chamber.
- Slide supplied O-rings onto each end of the quartz sleeve.



- Reinstall the top and bottom retaining nuts, floating spring, and O-rings respectively.
- When service is complete, assemble the prerequisites in the reverse order of disassembly.



- Push the lamp connector against lamp connector base together until an audible click is heard.
- Re-pressurize the system to check for leaks.
- Plug in controller and verify the POWER-ON LED display is illuminated and controller power-up sequence operates

**Note:** After replacing the UV lamp or quartz sleeve perform the cleaning procedure, refer to [Section 3.2](#).

### 4.3 Replacing Cartridges

It is recommended to change the filter cartridge every six months (or earlier). Please note that a drop in pressure may indicate that the filter cartridge requires replacement.

**Note:** Prior to performing any work on the drinking water system, ALWAYS DISCONNECT THE CONTROLLER FIRST. As a small amount of water may leak from the cartridges during this procedure, please place a small bucket under the system to catch any water.

#### Procedure:

1. Shut-off the water flow to the unit, depress pressure relief button on top of the filter head to relieve pressure in the filter. Refer to [Figure 5](#)



Figure 5 Pressure Relief Button

2. Place a bucket or pail under the stainless steel chamber. Remove retaining nut to drain system.
3. Remove the filter housing from the unit by turning the blue collar counter-clockwise until it falls free from the head. Pull down the white filter housing (be careful as it will be full of water and will be heavy). Refer to [Figure 6](#).

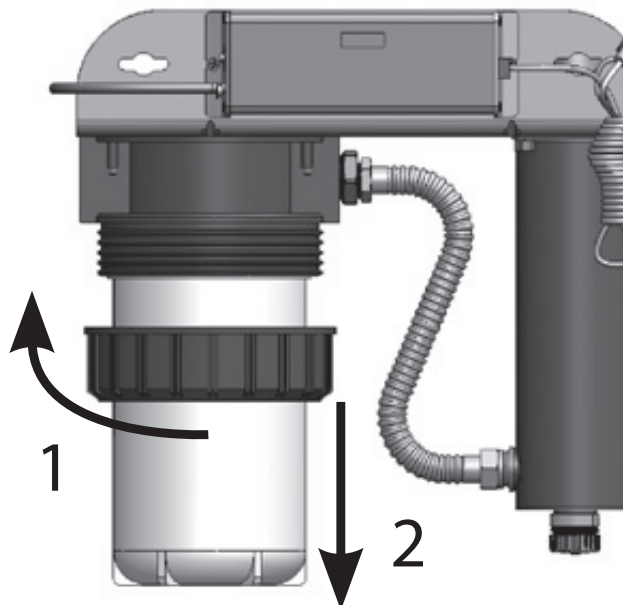


Figure 6 Removing Filter Housing

- Discard the used cartridge and clean the sump housing as required. Make sure to thoroughly rinse the sump with water to remove any cleaning agents. Before installing a new cartridge, please ensure that the o-ring seals are properly seated on the shoulders at the top of the sump (Refer to Figure 7), if there is any visible damage on the o-rings please replace them (P/N: OR40-50). Reapply a generous amount of lubricant to the O-ring when reinstalling sumps.

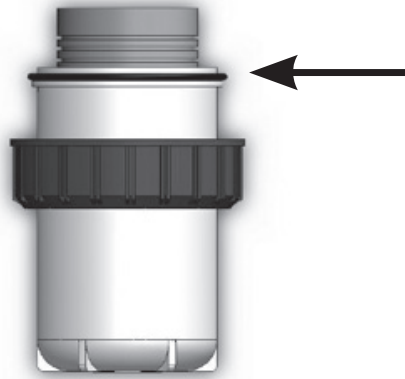


Figure 7 O-ring on Sump

- Ensure o-rings are liberally coated with a silicone based lubricant.
- Install the new cartridge in the reverse procedure as stated above turning the collar clockwise until the sump is tight.  
**Note:** Do not over tighten.
- Plug UV unit into the Ground Fault Circuit Interrupter (GFCI) outlet and power-up the system.
- Slowly turn on the water supply and allow any air that may now be present to bleed off by depressing pressure relief button on top of the sump until air is purged from filter. Now you are ready to return the system to use.

## Section 5 Operation

### ⚠ WARNING



The advanced warning system has been installed to provide the optimum protection against microbiological contamination in water. **DO NOT** disregard the warning signals. The best way to ensure optimum UV performance is to have the water microbiologically tested by a recognized testing agency on a regular basis.

### 5.1 Basic Systems Incorporating BA-ICE-CL Controllers

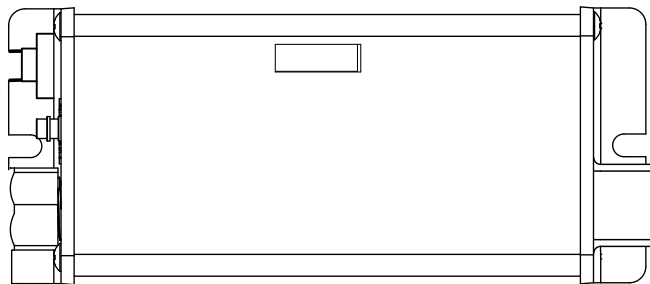


Figure 8 BA-ICE-CL Controllers

#### 5.1.1 Lamp Life Remaining (days)

The controller tracks the number of days of operation of the UV lamp and the controller. The default screen will display the total lamp life remaining (in days). The controller will count down the number of days remaining until the UV lamp requires changing (365 days to 1 day). At "0" days, the controller will display  and sound an intermittent audible chirp (1 second on, 5 seconds off), indicating the need to change the UV lamp.

## Troubleshooting

### 5.1.2 Understanding your “A3” Code

**A3** **DEFERRAL** - Once the “A3” or end of lamp life message is shown on the LED display, the audible alarm can be deferred up to 4 separate times. The delay is designed to allow you time to address the alarm while you obtain a new UV lamp. This can be done by simply depressing the timer reset button for 5 seconds, which is located on the left side of the controller. Each time the timer reset button is pressed the controller alarm is deferred seven days. Once the final 7 day deferral has been reached the alarm can only be silenced by changing the UV lamp and manually resetting the controller timer, refer to [Section 4.1](#).

### 5.1.3 Resetting Lamp Life

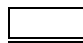
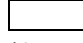
Refer to [Section 4.1](#).

**Note:** Even though the alarm on the system can be deferred for a period of time, it is important to address each and every alarm condition as they are indicating that there is a potential problem with the system and should be remedied.

### 5.1.4 Total Days of Operation

**1680** The controller also displays the total running time of the controller. To obtain this reading, press the push-button once. The total running time of the controller will be numerically displayed in days. This information will remain displayed for ten seconds and will then revert back to the lamp life remaining default screen. It should be noted that this value cannot be reset.

### 5.1.5 Lamp Failure (Blank Screen)

 When the system recognizes LAMP FAILURE (no current running through the UV lamp), the display will be blank  (no default LAMP LIFE REMAINING screen) and the system will sound an intermittent audible tone (1 second on, 1 second off). The system will remain in this state, until this condition is remedied.

*Not performance tested or certified by NSF.*

## Section 6 Troubleshooting

Symptom	Possible Causes	Solutions
Pressure Drop	Sediment pre-filter clogged	Replace filter cartridge and refer to <a href="#">Section 2</a> . <b>Note:</b> Check source water supply as fluctuations may occur in source pressure.
High Bacteria Counts	Quartz sleeve is stained or dirty	Clean sleeve with scale cleaner and eliminate source of staining problem (ie. soften hard water, refer to <a href="#">Section 4.2</a> ).
	Change in feed water quality	Have source water tested to ensure that water quality is still within allowable limits for this system.
	Contamination in water lines after UV system (eg. due to a power failure, plumbing dead ends, etc.)	Refer to <a href="#">Section 3.2</a> , Cleaning Procedure.
	Possible break-through of sediment through pre-filter	Test source water for turbidity - may need stepped filtration in order to catch all sediment entering water system (20 micron filter followed by a 5 micron filter followed by UV system).
Heated Product Water	Common concern caused by infrequent use of water	Run water until it returns to ambient temperature.
		Install temperature management valve.
Water Appears Milky	Caused by air in the water lines	Run water until air is purged.
Chamber Leaking Water	Problem with O-ring seal (on retaining nut)	Ensure O-ring is in place, check for cuts or abrasions, clean O-ring, moisten with water/ lubricant and re-install, replace if necessary (Refer to <a href="#">Section 2</a> for part number).
	Condensation on chamber caused by excessive humidity & cold water	Check location of UV system and control humidity.
	Inadequate inlet/outlet port connections	Check thread connections, reseal with Teflon <sup>®</sup> tape and re-tighten.

Symptom	Possible Causes	Solutions
System Shutting Down Intermittently	Interrupted controller	<ul style="list-style-type: none"> <li>Ensure system has been installed on its own circuit, as other equipment may be drawing power away from UV (ie. pump or fridge).</li> <li>UV system should not be installed on a circuit which is incorporated into a light switch.</li> </ul>
Lamp Failure Alarm on - New UV Lamp	Loose connection between lamp and connector	Disconnect the UV lamp from connector and reconnect, ensuring that a tight fit is accomplished
	Moisture build up in connector may keep UV lamp and connector from making a solid connection	Eliminate chance of any moisture getting to the connector and/or lamp pins

DISPLAY FAULT MODES	
LED display reads "A3"	<ul style="list-style-type: none"> <li>Lamp life expired - countdown is at "0" days</li> <li>Press reset button for a deferred alarm, replace UV lamp (refer to <a href="#">Section 4.1</a>).</li> </ul>
LED display is blank	<ul style="list-style-type: none"> <li>Controller is in lamp failure mode</li> <li>Power system down, allowing it to reset itself; apply power in order to confirm that the controller is able to power lamp</li> <li>Check to see if there is sufficient power to the UV system</li> </ul>

## Section 7 Manufacturer's Dose Flow Chart

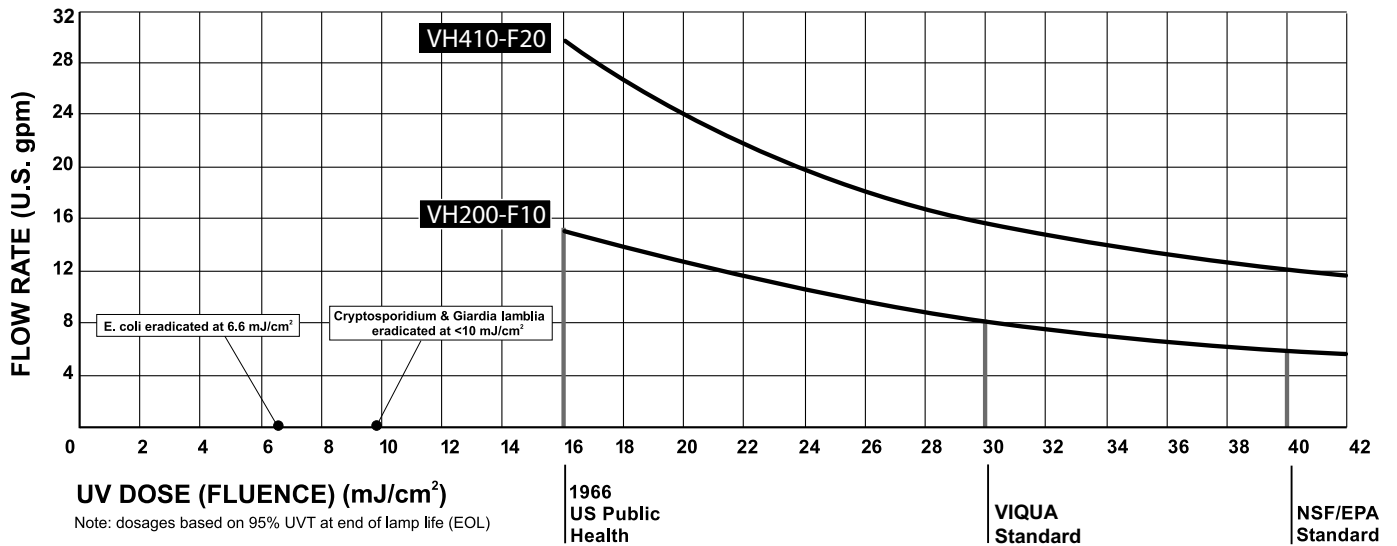


Figure 9 Dose Flow Chart

Not performance tested or certified by NSF.

## Section 8 Specifications

### 8.1 Standard and Validated

Model		VH200-F10	VH410-F20
Flow Rate	US Public Health 16 mJ/cm <sup>2</sup>	16 GPM (60 lpm) (3.6 m <sup>3</sup> /hr)	34 GPM (130 lpm) (7.8 m <sup>3</sup> /hr)
	VIQUA Standard 30 mJ/cm <sup>2</sup>	9 GPM (34 lpm) (2.0 m <sup>3</sup> /hr)	18 GPM (70 lpm) (4.2 m <sup>3</sup> /hr)
	NSF/EPA 40 mJ/cm <sup>2</sup>	7 GPM (26 lpm) (1.6 m <sup>3</sup> /hr)	14 GPM (54 lpm) (3.3 m <sup>3</sup> /hr)
Overall Dimensions (width x depth x height)		17" x 10.5" x 17.8"	17" x 10" x 29"
Inlet/Outlet Port Size <sup>2</sup>		1"FNPT/Combo 3/4"FNPT & 1"MNPT	3/4" FNPT
Shipping Weight		10.5 kg (23 lbs)	13.2 kg (29 lbs)
Electrical	Voltage <sup>3</sup>	100-240 V/ 50/60 Hz	100-240 V/ 50/60 Hz
	Max. Current	0.7 Amp	0.7 Amp
	Power Consumption	35 W	60W
	Lamp Watts	27 W	45W
Maximum Operating Pressure		100 psi (689 kPa)	100 psi (689 kPa)
Minimum Operating Pressure		15 psi (103 kPa)	15 psi (103 kPa)
Ambient Water Temperature		2-40 °C (36-104 °F)	2-40 °C (36-104 °F)
UV Lamp Type		HO (high output)	HO (high output)
Visual "Power-On"		Yes	Yes
Audible Lamp Failure		Yes	Yes
Lamp Replacement Reminder		Yes	Yes
Visual Lamp Life Remaining		Yes	Yes
Total Running Time		Yes	Yes
254 nm UV Monitor		No	No
Solenoid Output (solenoid not incl.)		No	No
Chamber Material		304 SS	304 SS
Filter Housing		10" high flow	20" high flow
<p>1 The max flow rate is determined by the carbon filter.</p> <p>**Flow rates based on UVT=95% and End of Lamp Life; 20°C.</p> <p>2 Units ending in "/2" are for 230V applications.</p> <p>3 Units ending in "/2B" have BSPT connections.</p> <p>4 Units ending in */NOM are Certified to the Mexican NOM standard.</p>			



## Section 9 Manufacturer's Warranty

### Our Commitment

VIQUA is committed to ensuring your experience with our products and organization exceeds your expectations. We have manufactured your UV system to the highest quality standards and value you as our customer. Should you need any support, or have questions about your system, please contact our Technical Support team at 1.800.265.7246 or [technicalsupport@viqua.com](mailto:technicalsupport@viqua.com) and we will be happy to assist you.

### How to Make a Warranty Claim

**Note:** *To maximise the performance and reliability of your VIQUA product, the system must be properly sized, installed and maintained. Guidance on the necessary water quality parameters and maintenance requirements can be found in your Owner's Manual.*

In the event that repair or replacement of parts covered by this warranty are required, the process will be handled by your dealer. If you are unsure whether an equipment problem or failure is covered by warranty, contact our Technical Support team at 1.800.265.7246 or e-mail [technicalsupport@viqua.com](mailto:technicalsupport@viqua.com). Our fully trained technicians will help you troubleshoot the problem and identify a solution. Please have available the model number (system type), the date of purchase, the name of the dealer from whom you purchased your VIQUA product ("the source dealer"), as well as a description of the problem you are experiencing. To establish proof of purchase when making a warranty claim, you will either need your original invoice, or have previously completed and returned your product registration card via mail or online.

### Specific Warranty Coverage

Warranty coverage is specific to the VIQUA range of products. Warranty coverage is subject to the conditions and limitations outlined under "[General Conditions and Limitations](#)".

#### Ten-Year Limited Warranty for VIQUA UV Chamber

VIQUA warrants the UV chamber on the VIQUA product to be free from defects in material and workmanship for a period of ten (10) years from the date of purchase. During this time, VIQUA will repair or replace, at its option, any defective VIQUA UV chamber. Please return the defective part to your dealer who will process your claim.

#### Three-Year Limited Warranty for Electrical and Hardware Components

VIQUA warrants the electrical (controller) and hardware components to be free from defects in material and workmanship for a period of three (3) years from the date of purchase. During this time, VIQUA will repair or replace, at its option, any defective parts covered by the warranty. Please return the defective part to your dealer who will process your claim.

#### One-Year Limited Warranty for UV lamps, Sleeves, and UV Sensors

VIQUA warrants UV lamps, sleeves, and UV sensors to be free from defects in material and workmanship for a period of one (1) year from the date of purchase. During this time, VIQUA will repair or replace, at its option, any defective parts covered by the warranty. Your dealer will process your claim and advise whether the defective item needs to be returned for failure analysis.

**Note:** *Use only genuine VIQUA replacement lamps and sleeves in your system. Failure to do so may seriously compromise performance and affect warranty coverage.*

### General Conditions and Limitations

None of the above warranties cover damage caused by improper use or maintenance, accidents, acts of God or minor scratches or imperfections that do not materially impair the operation of the product. The warranties also do not cover products that are not installed as outlined in the applicable Owner's Manual.

Parts repaired or replaced under these warranties will be covered under warranty up to the end of the warranty period applicable to the original part.

The above warranties do not include the cost of shipping and handling of returned items. The limited warranties described above are the only warranties applicable to the VIQUA range of products. These limited warranties outline the exclusive remedy for all claims based on a failure of or defect in any of these products, whether the claim is based on contract, tort (including negligence), strict liability or otherwise. These warranties are in lieu of all other warranties whether written, oral, implied or statutory. Without limitation, no warranty of merchantability or of fitness for a particular purpose shall apply to any of these products.

VIQUA does not assume any liability for personal injury or property damage caused by the use or misuse of any of the above products. VIQUA shall not in any event be liable for special, incidental, indirect or consequential damages. VIQUA's liability shall, in all instances, be limited to repair or replacement of the defective product or part and this liability will terminate upon expiration of the applicable warranty period.



425 Clair Rd. W, Guelph, Ontario, Canada N1L 1R1  
t. (+1) 519.763.1032 • tf. (+1) 800.265.7246 (US and Canada only)  
t. (+31) 73 747 0144 (Europe only) • f. (+1) 519.763.5069  
e-mail: [info@viqua.com](mailto:info@viqua.com)  
[www.viqua.com](http://www.viqua.com)

